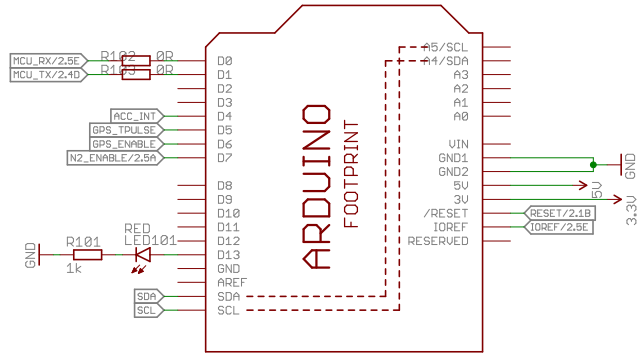
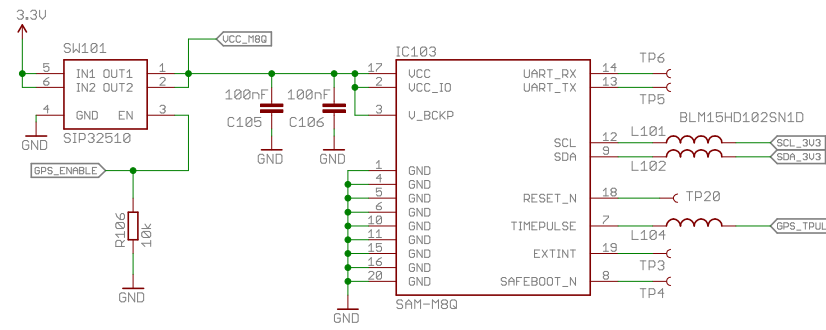


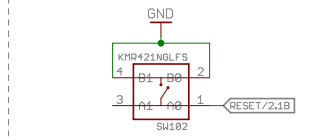
ARDUINO HEADER/LAYOUT



SAM-M8Q (GPS MODULE)



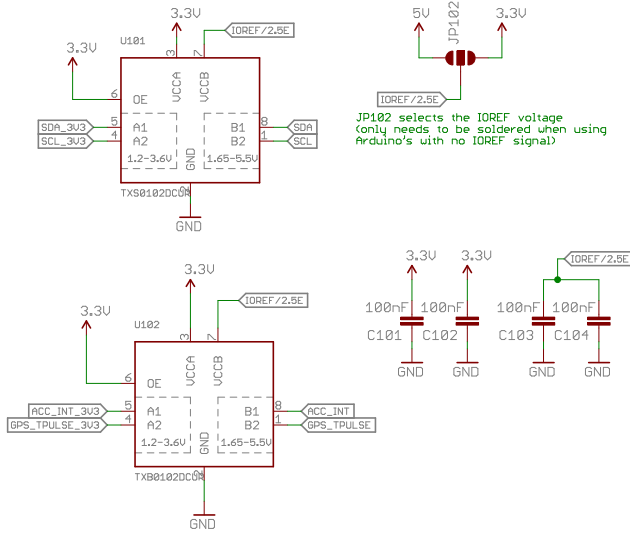
RESET BTN



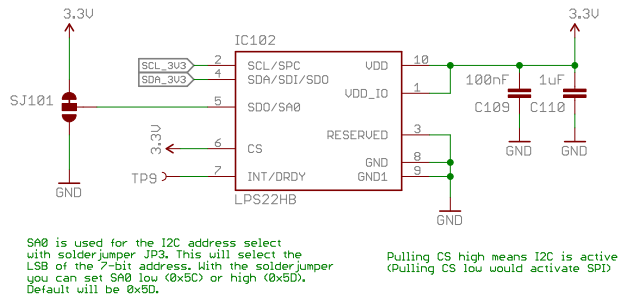
FIDUCIALS



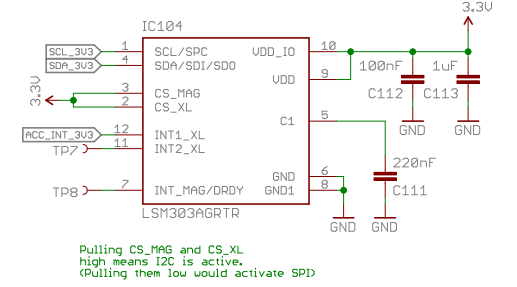
LEVEL CONVERTER



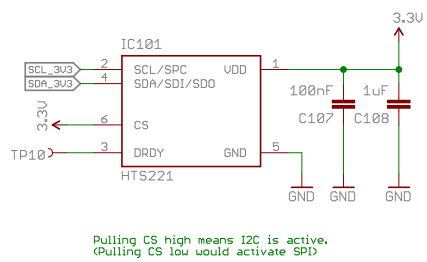
LPS22HB (BAROMETRIC)



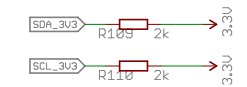
LSM303AGR/LSM303C (ACCELERO & MAGNETO)



HTS221 (TEMP & HUMIDITY)



I2C PULL-UP



- I2C address list:
- LSM303C (ACCELERO) = 0x10
 - LSM303C (MAGNETO) = 0x1E
 - SAM-M8Q (GPS) = 0x42
 - LPS22HB (BAROMETRIC) = 0x5C/0x5D
 - HTS221 (TEMP & HUM) = 0x5F

SODAQ

TITLE: nb-iot_shield

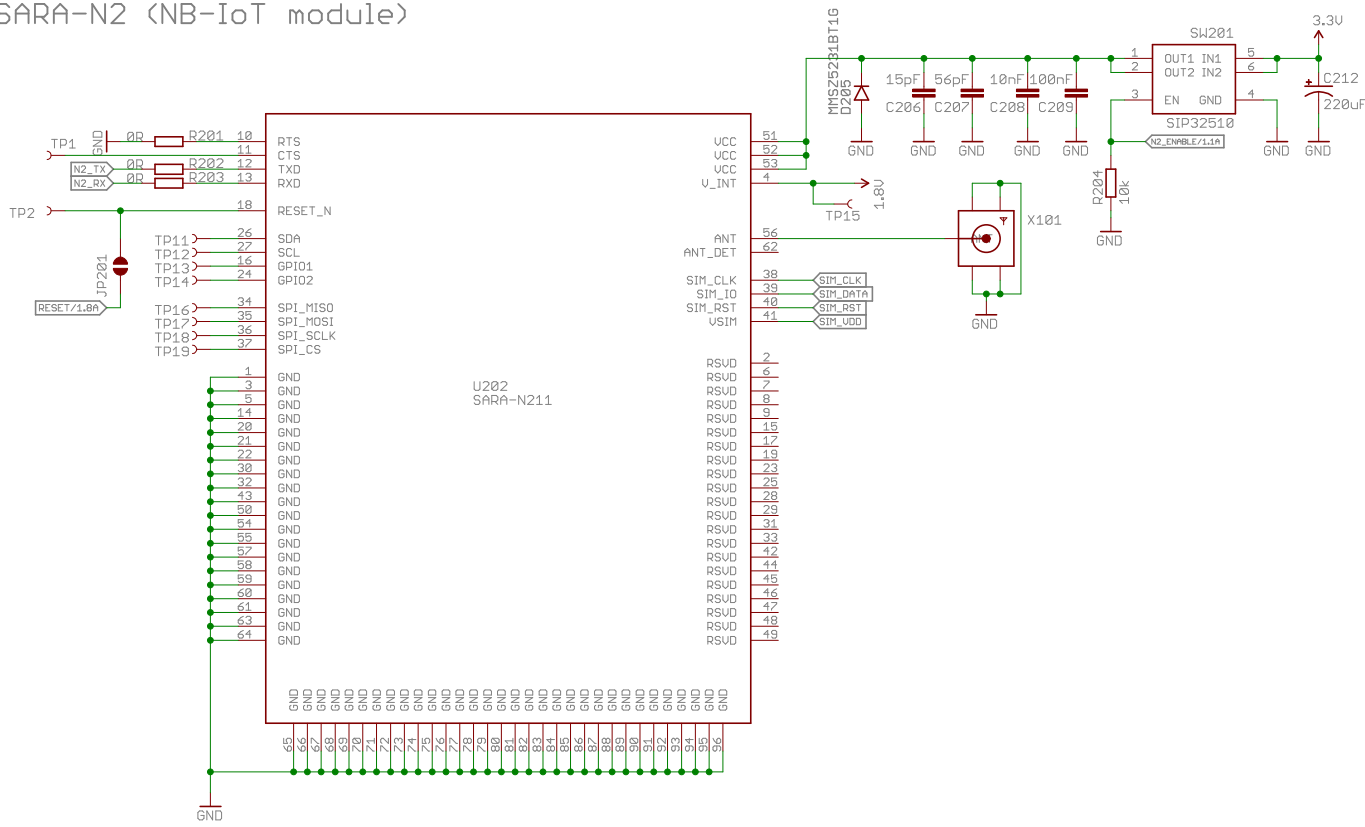
REU: **3b**

Design by: Gregory Knauff

Date: 6-6-2017 09:50

Sheet: 1/2

SARA-N2 (NB-IoT module)



Revision history

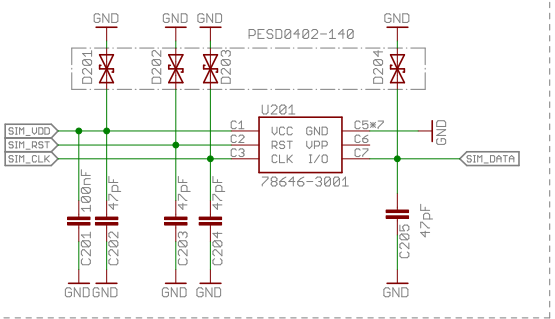
Changelog revision 3

- Updated the LSM303AGR footprint (was changed in Eagle library)
- Updated the LPS22HB footprint (GND now has thinner traces)
- Removed R104, R105, R107 and R108 and connected the pins directly to 3.3V
- Removed UBLOX feedback circuit (SIP switch SW202)
- RESET_N of the SAM-M00 is disconnected from UCC_GPS (left floating and added a solderjumper)
- Replaced the TXB0104 with a TXB0102
- Disconnected ACC_INT from D2 (D2 was conflicting with the SDA on Leonardo's)
- Connected ACC_INT to D4 instead of D2
- Changed revision number (now 3)
- Renamed SJ1 to SJ101
- Renamed JP104 to JP102

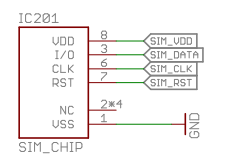
Changelog revision 3b

- Added a tRestrict to the HTS221 (IC101) (and added a smaller width GND-trace)
- GND traces to the LPS22HB (IC102) reduced in width
- Changed name of IC1 to U102
- GND trace of U101 and U102 reduced in width
- Changed the width of the pads of LPS22HB (IC102) from 0.25mm to 0.3mm
- Added three fiducials
- Changed Eagle layer setup (in DRC) to (1+2*15+16). This previously was (1+2*3+16), but needed to be changed to work with the new Autodesk Eagle Standard subscription. This means that the UCC layer is moved from layer 3 to layer 15.
- Changed revision number to rev. 3b

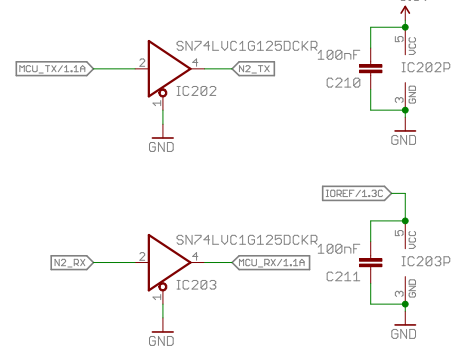
SIM CARD HOLDER



SIM CHIP



LEVEL CONVERTER



SODAQ

TITLE: nb-iot_shield

Design by: Gregory Knauff

Date: 6-6-2017 09:50

REV:
3b

Sheet: 2/2