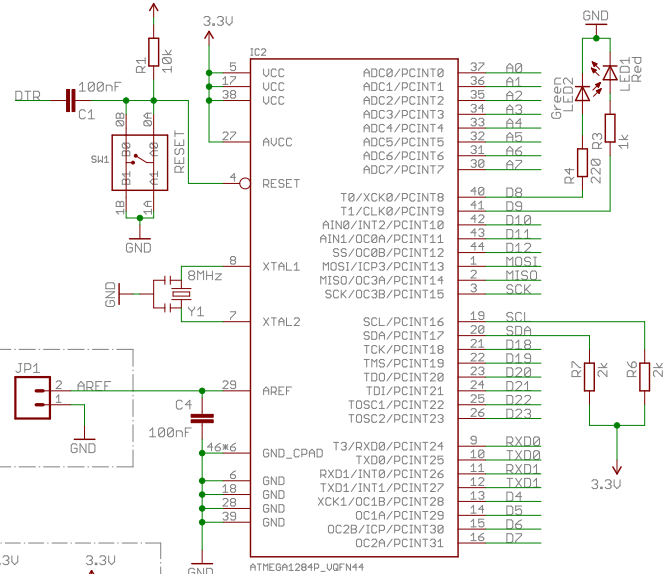
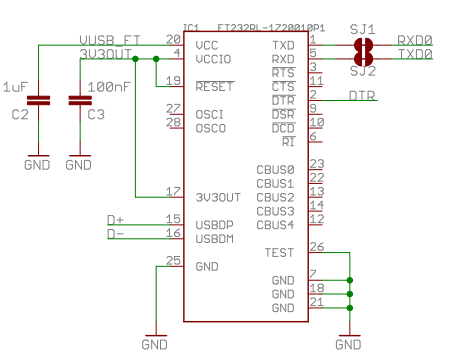


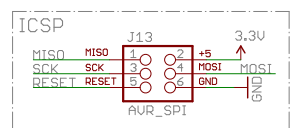
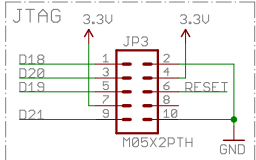
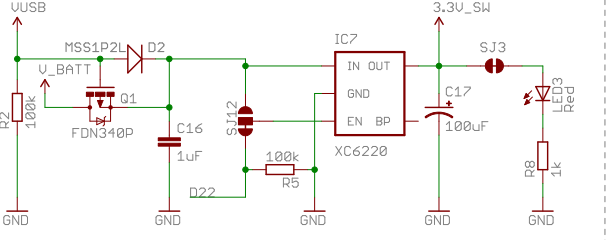
ATMEGA1284P



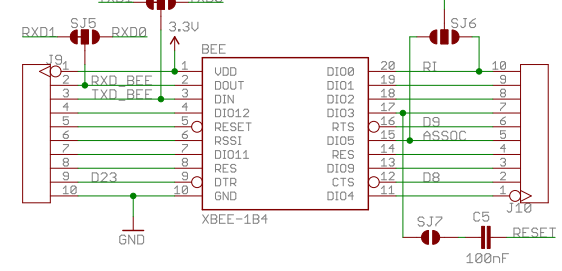
FT232RL



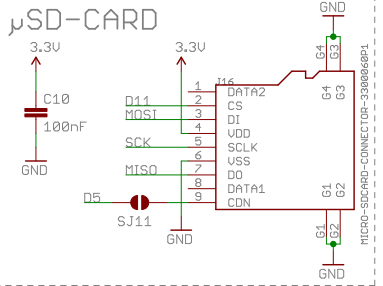
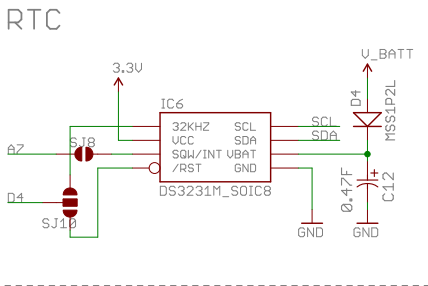
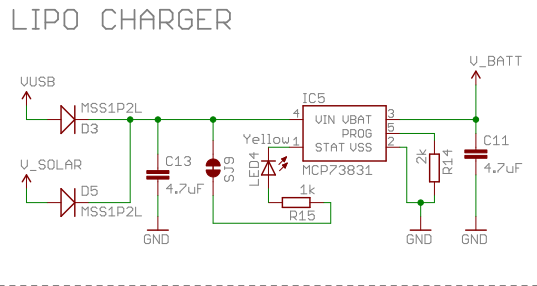
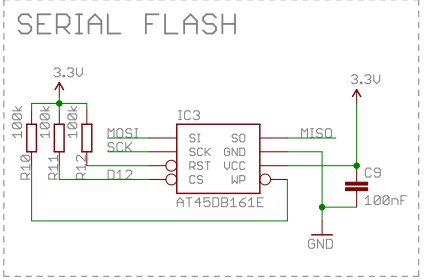
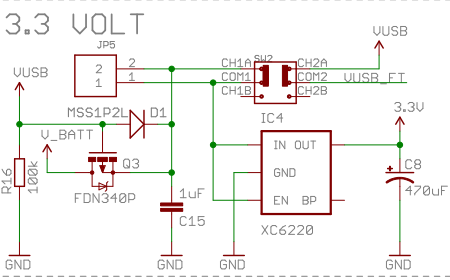
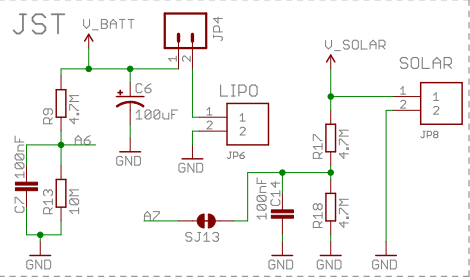
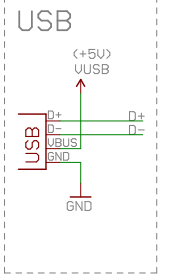
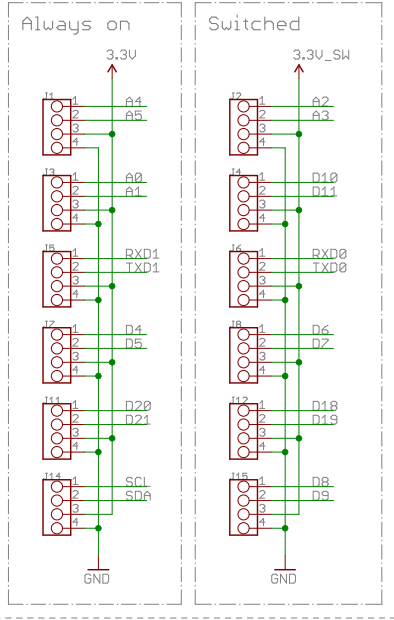
3.3 VOLT SWITCHED



BEE



GROVE



<h1>SODAQ</h1>	
TITLE: sodaq_mbili_rev6b	REV: 6b
Design by: Gregory Knauff [GKNFF]	
Date: not saved!	Sheet: 1/1