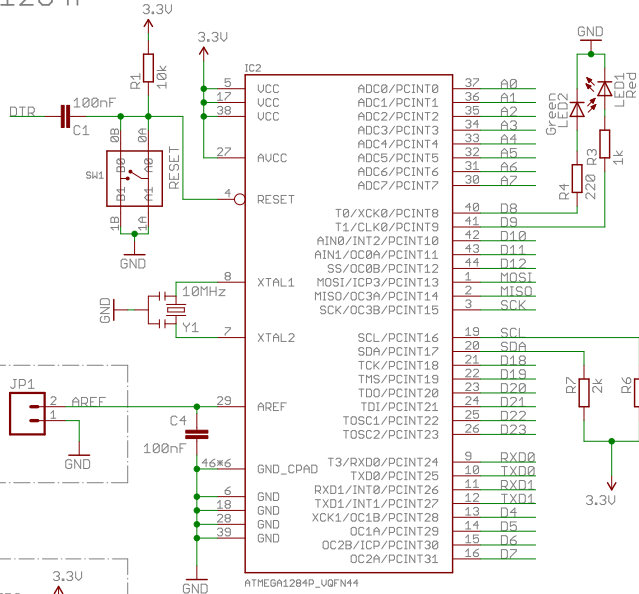
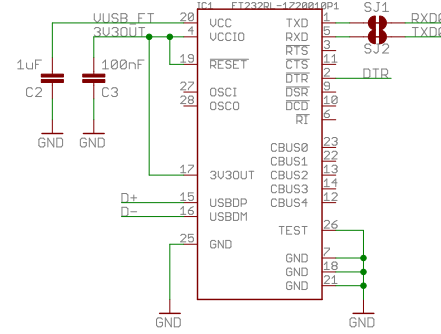


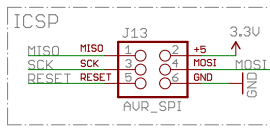
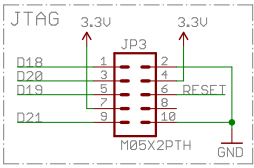
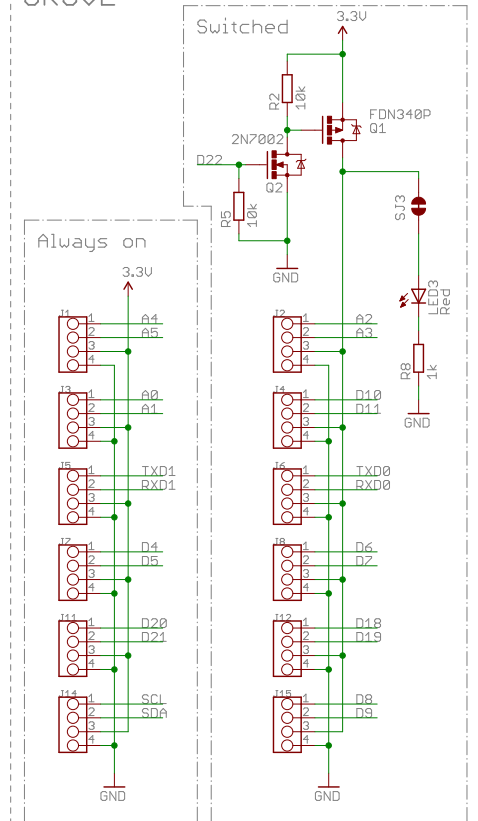
ATMEGA1284P



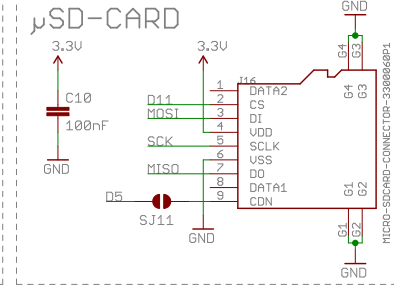
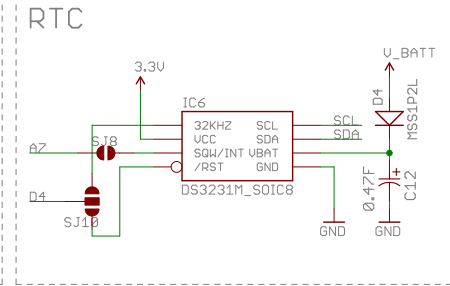
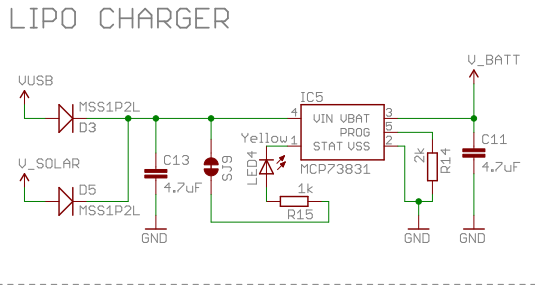
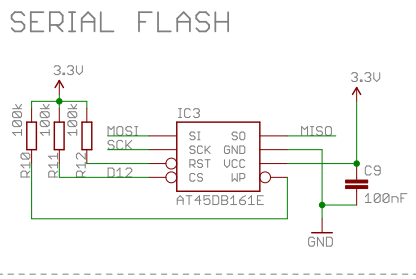
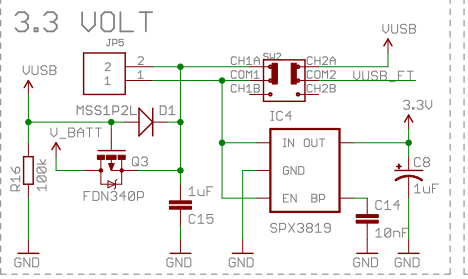
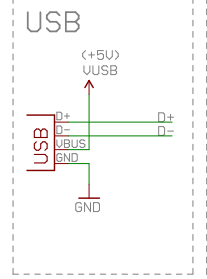
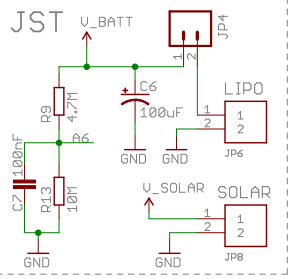
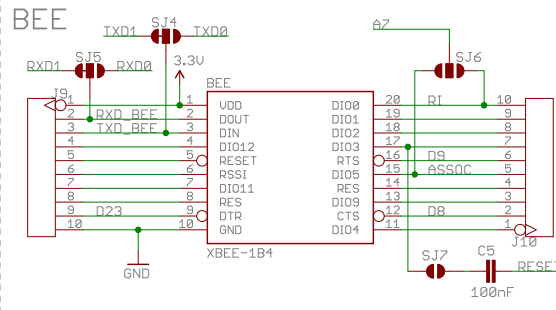
FT232RL



GROVE



BEE



SODAQ

TITLE: soday_mbili_rev4		REV: 4
Design by: Gregory Knauff [GKNFF]		
Date: 8-1-2015 20:07:15		Sheet: 1/1