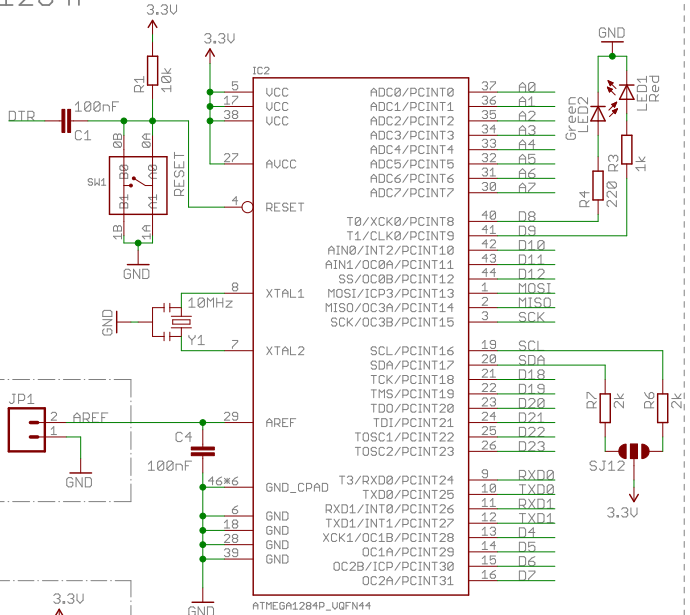
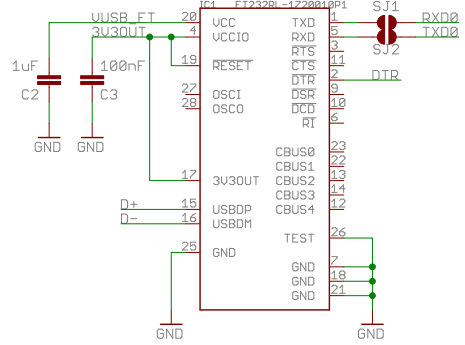


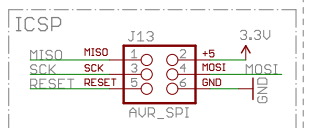
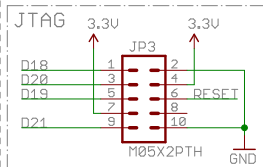
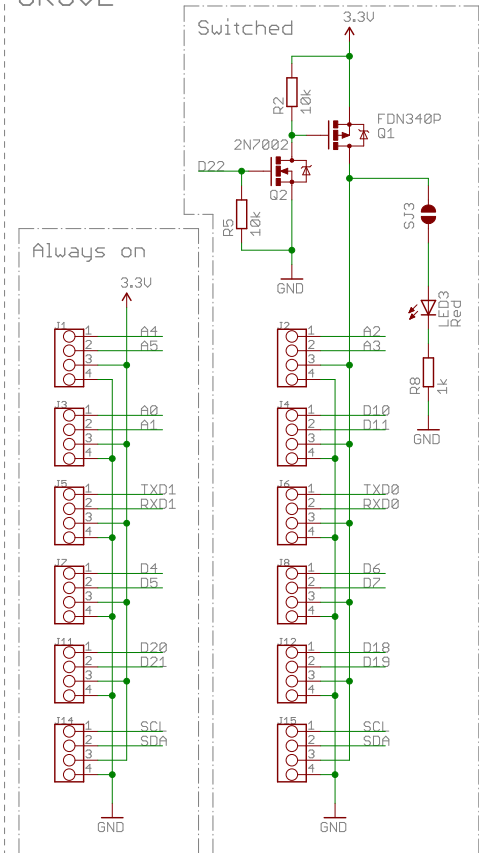
# ATMEGA1284P



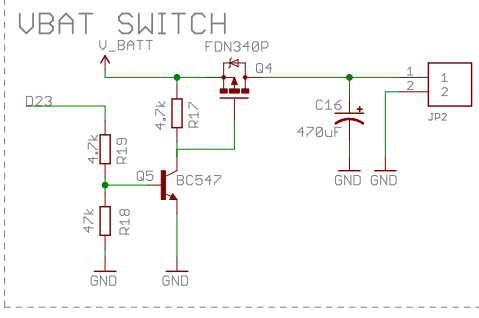
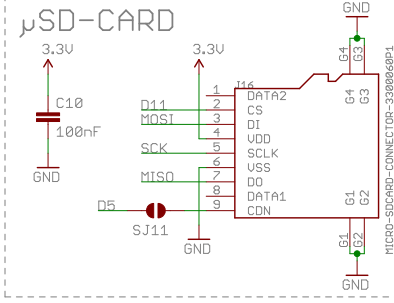
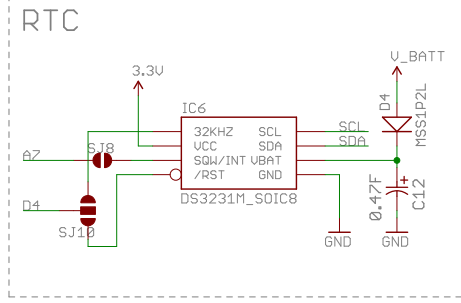
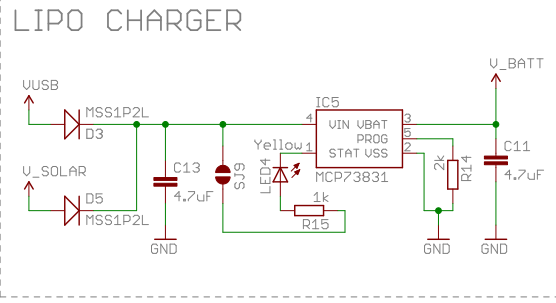
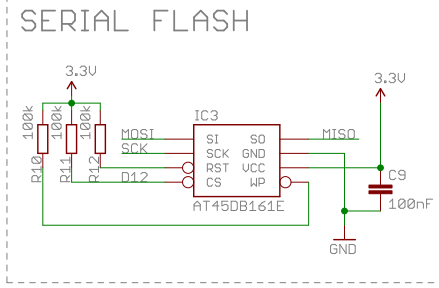
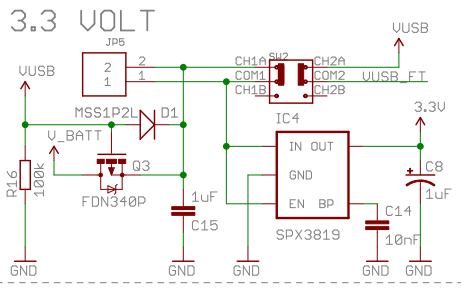
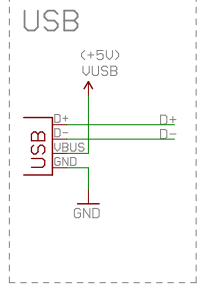
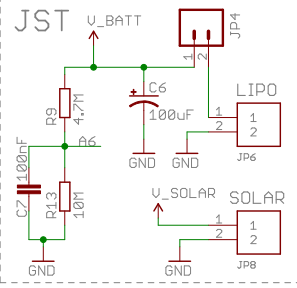
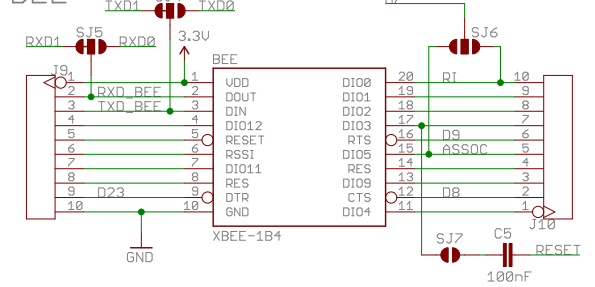
# FT232RL



# GROVE



# BEE



## SODAQ

TITLE: sodaq_mbili_rev3	REV: 3
Design by: Gregory Knauff [GKNFF]	
Date: 14-9-2014 12:46:02	Sheet: 1/1