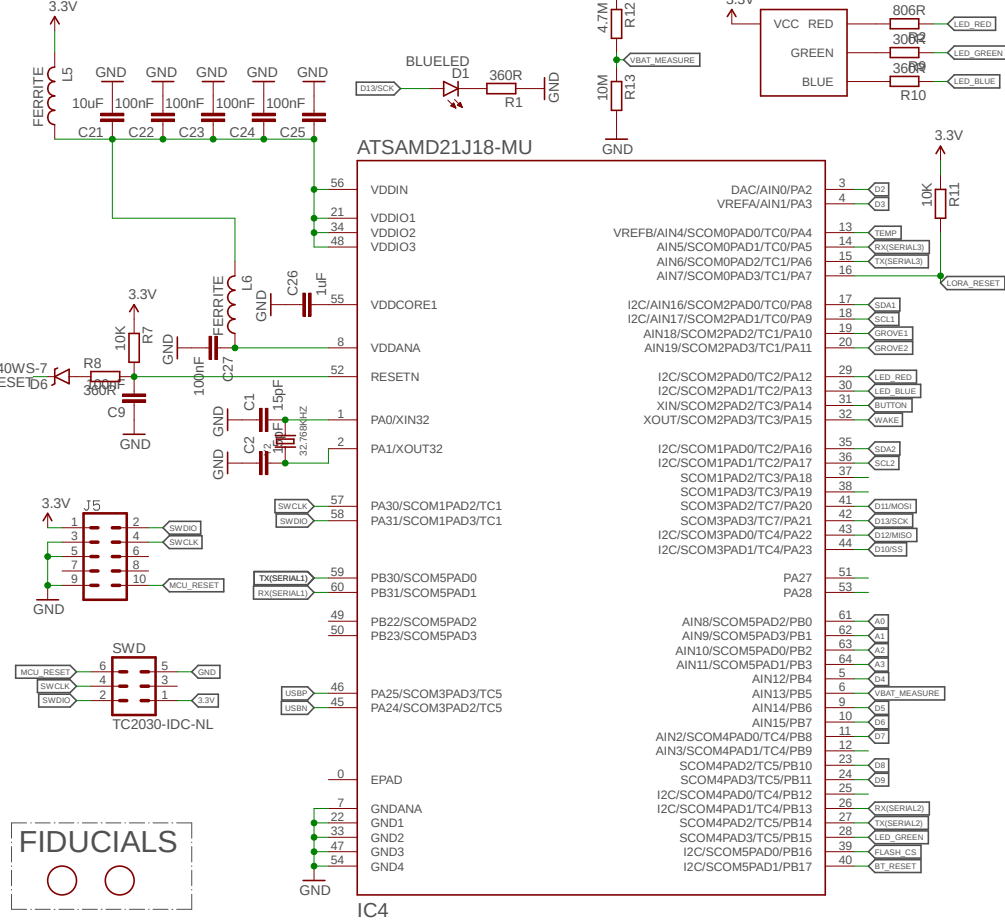


ATSAMD21G18 (MAIN μC)



SODAQ

TITLE: Microchip-915

Design by: Nick Leijenhorst

Date: 14-2-2018 09:51

REV: **6c**

Sheet: 1/1