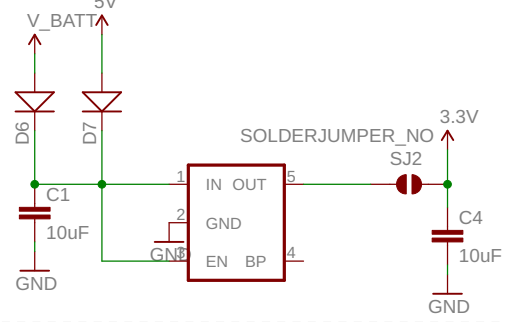
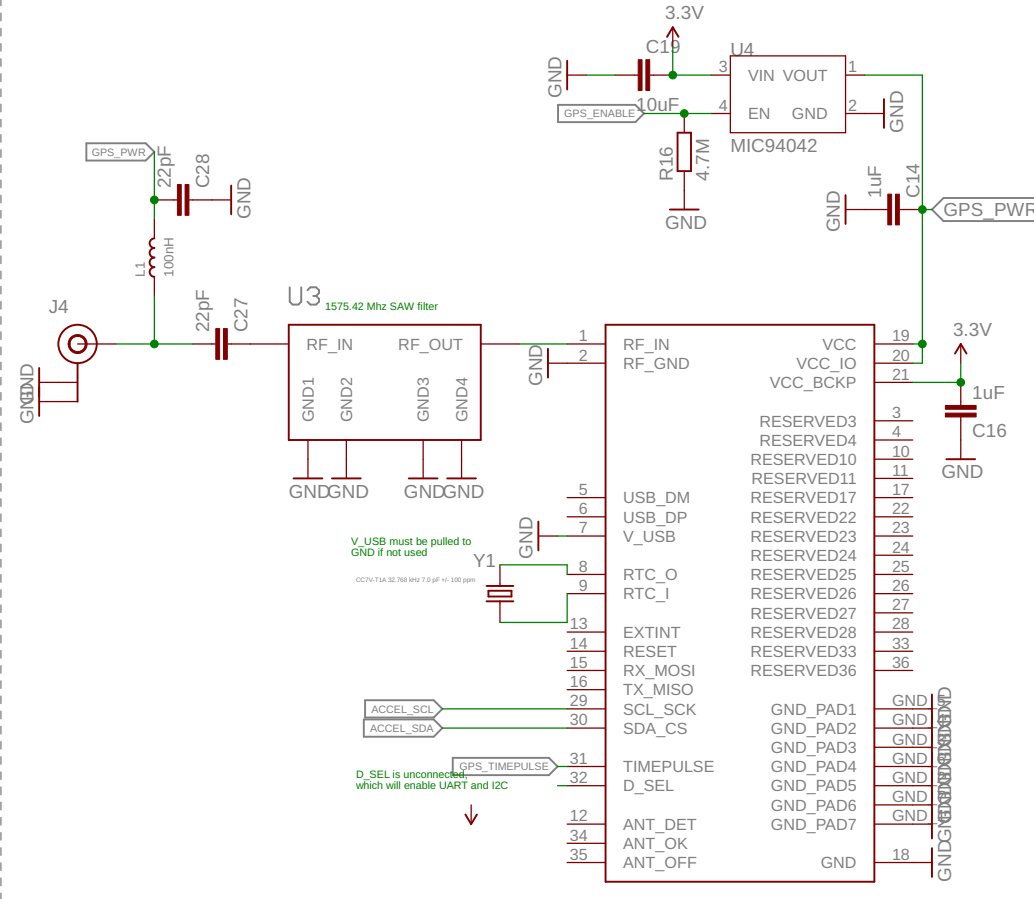


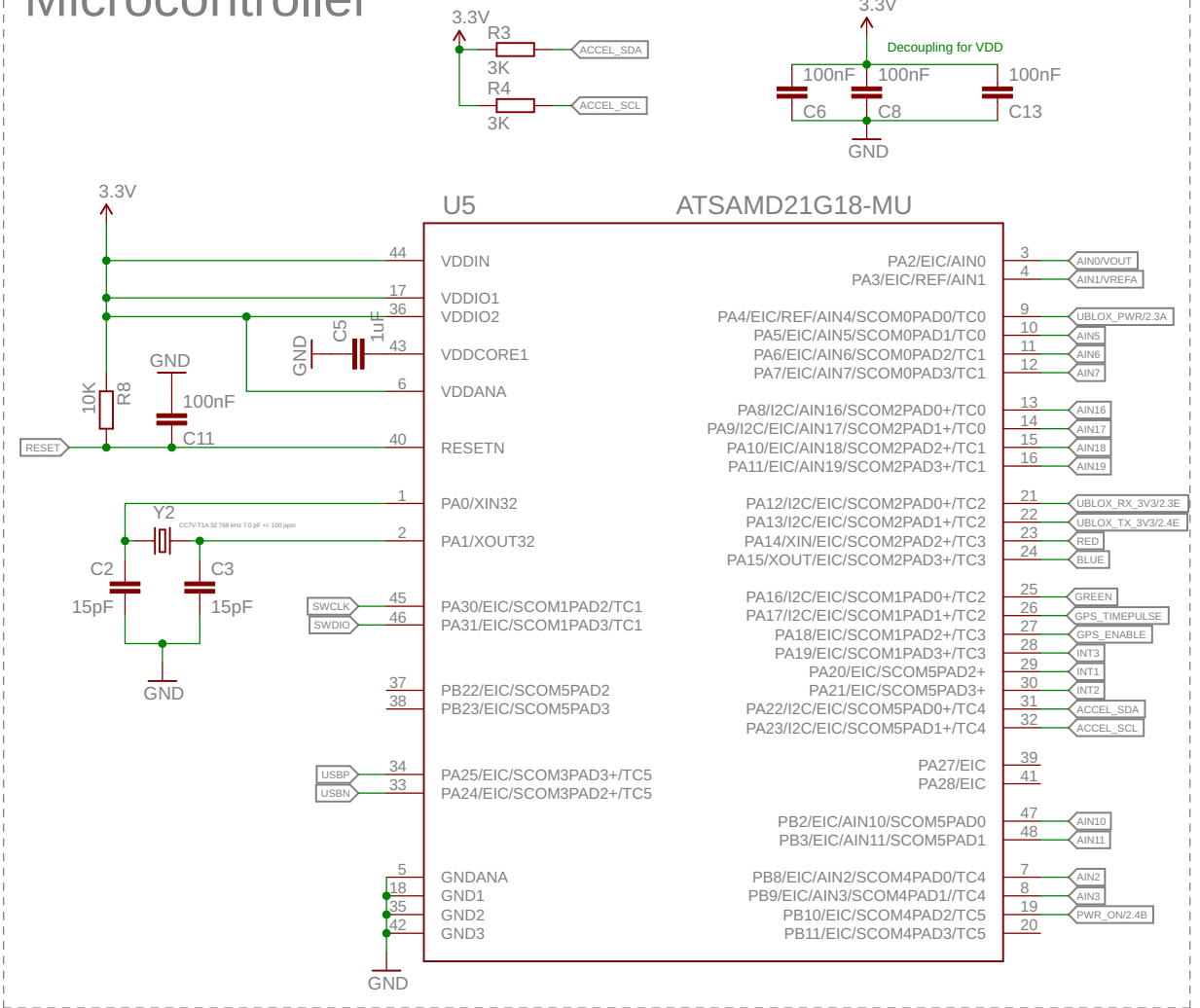
# Voltage Regulator



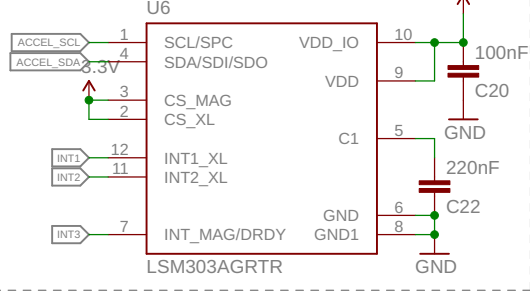
# GPS Circuit



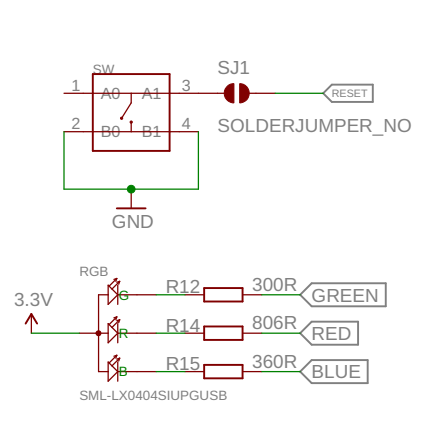
# Microcontroller



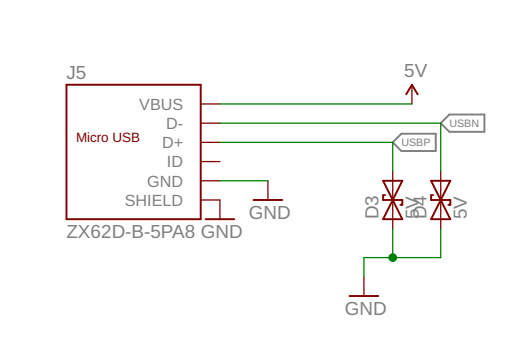
# Accelerometer



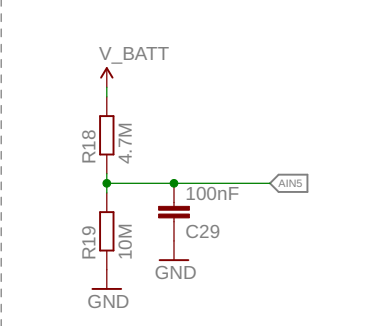
# RGB LED & Reset Button



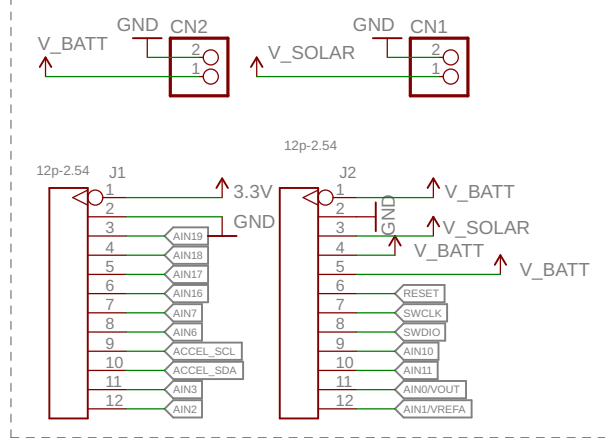
# USB



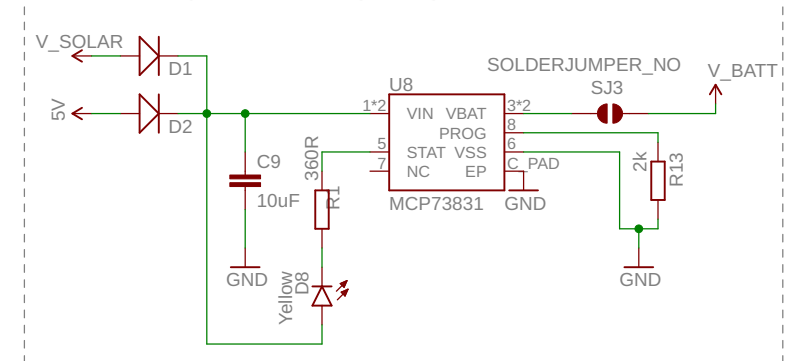
# Battery measurement



# Connectors



# Battery Charging

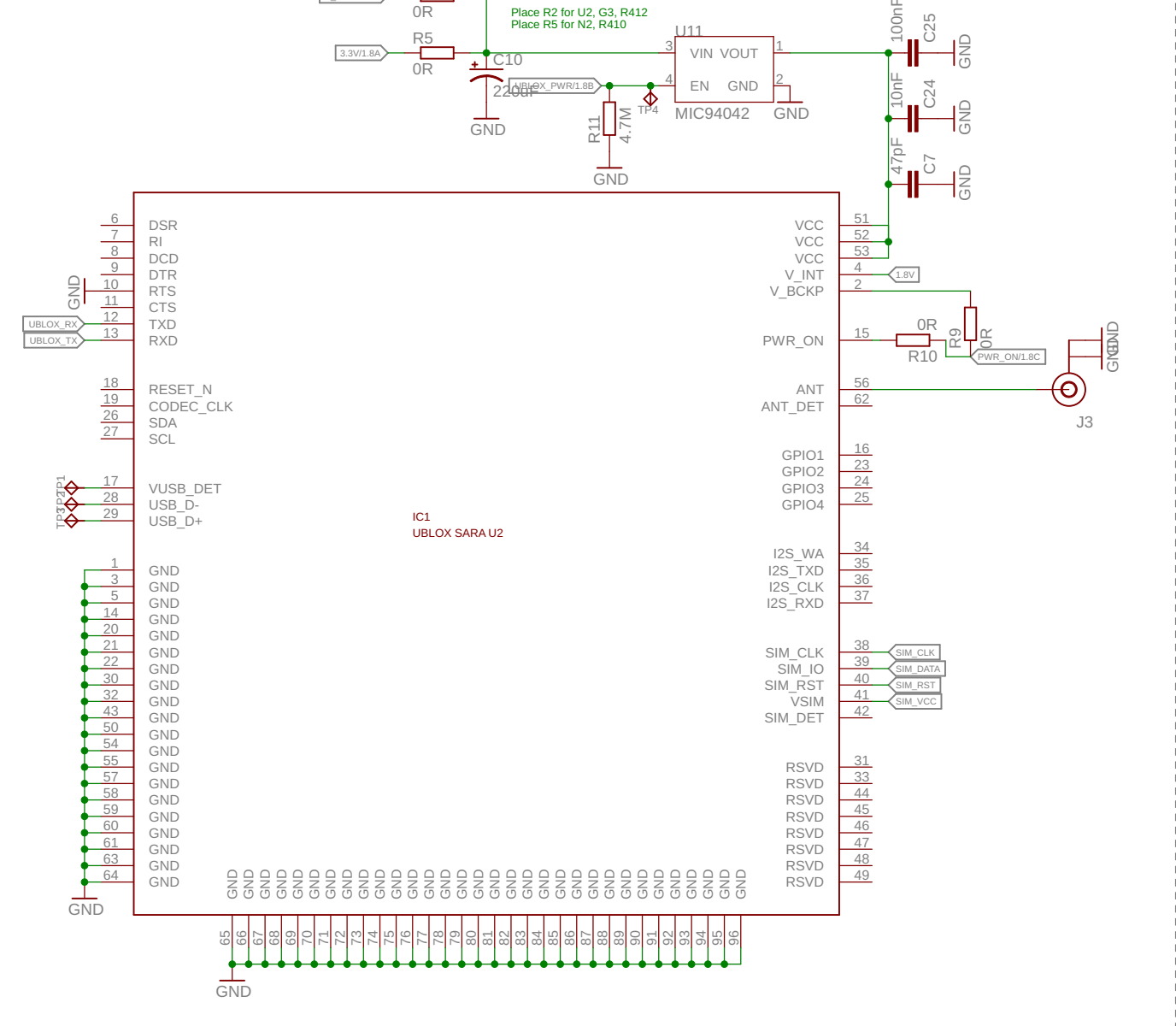


Revisions

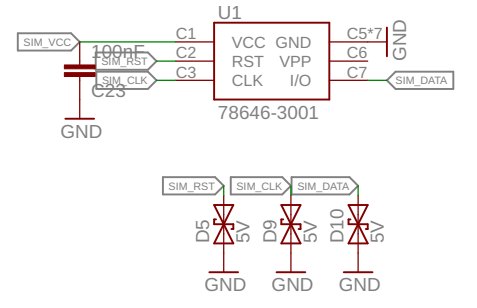
Changelog revision 1:

- Changed UART of SARA module to make it identical to the regular SODAQ ONE
- Changed power switches to MIC94042

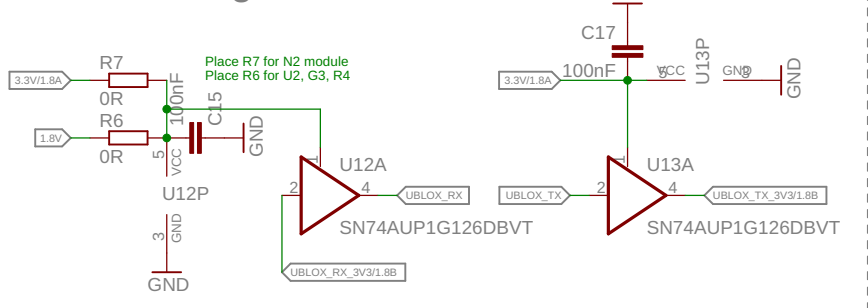
### SARA module



### SIM card



### Level Shifting



TITLE: SODAQ-SARA-SFF	
Design by: Nick Leijenhorst	REV: 1
Date: 06/22/18 10:46	Sheet: 2/2