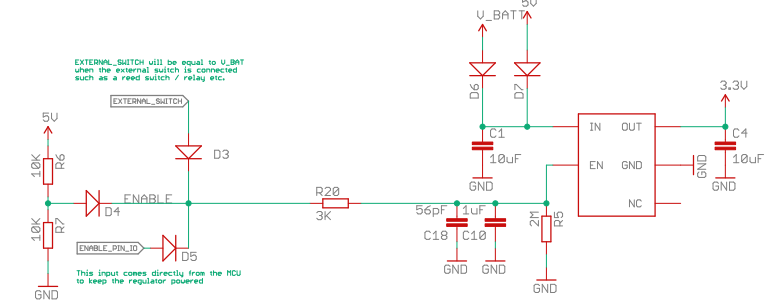
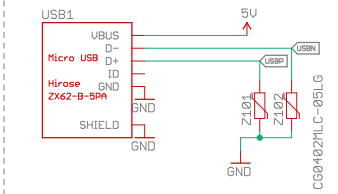


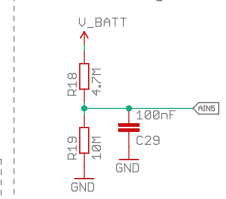
3V3 REGULATOR & SWITCHING



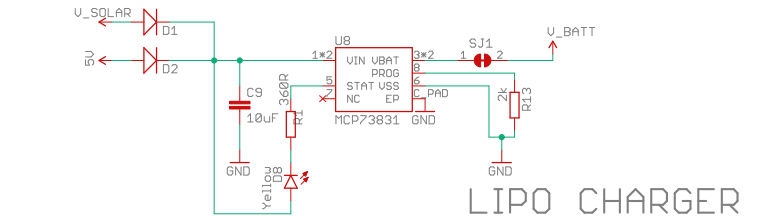
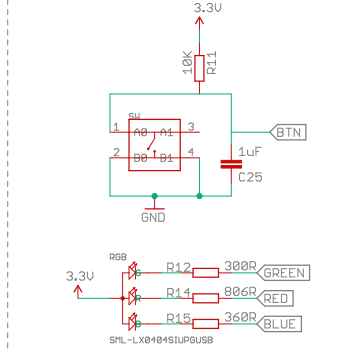
USB



Battery measurement

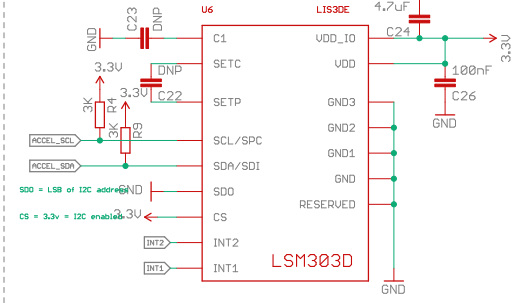


RGB LED BUTTON SWITCH

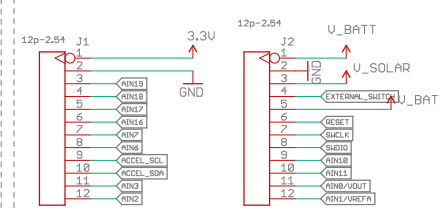


LIPO CHARGER

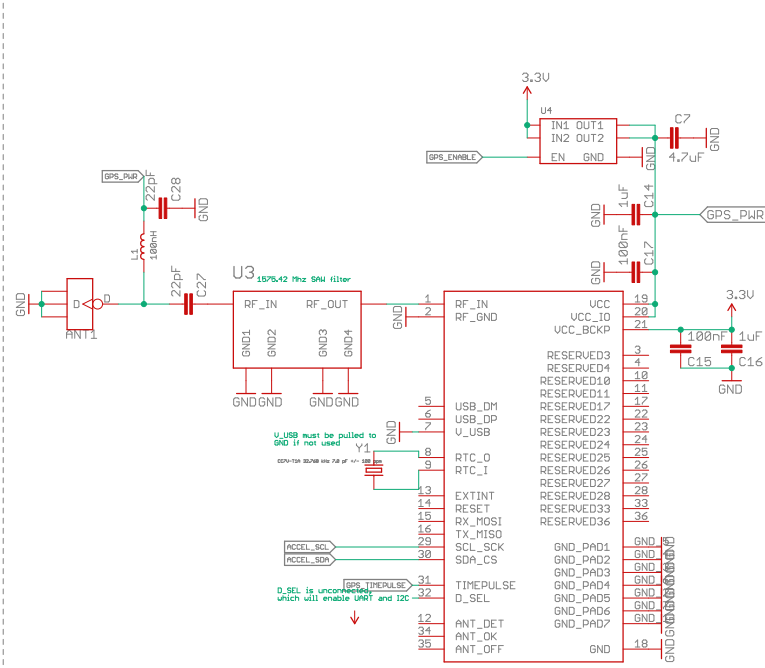
ACCELEROMETER



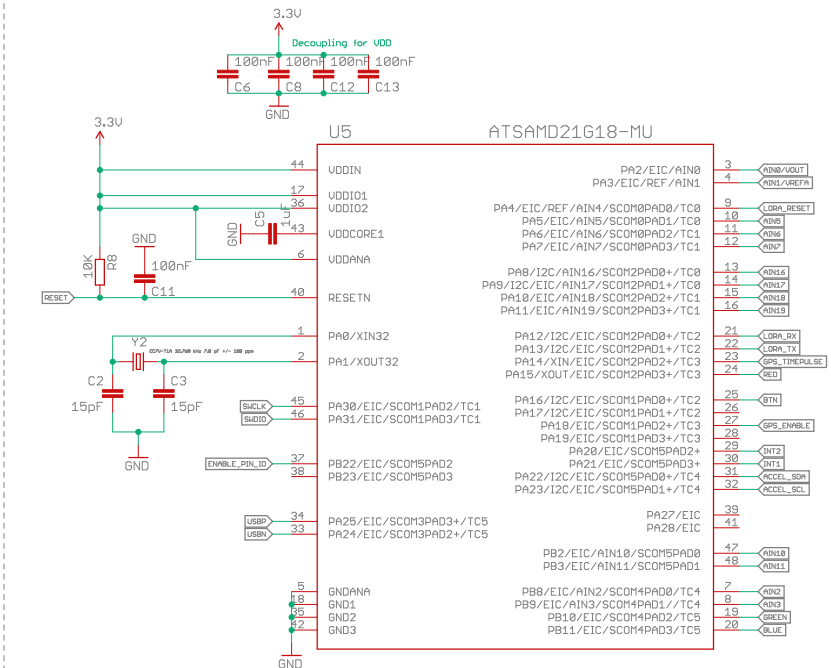
CONNECTOR



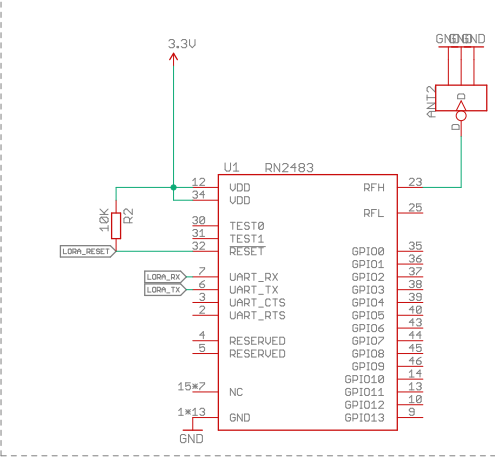
GPS



MICROCONTROLLER



LoRa Transceiver Module



Released under the Creative Commons Attribution Share-Alike 4.0 License
<https://creativecommons.org/licenses/by-sa/4.0/>

TITLE: SODAQ-ONE
Design by: Nick Leijenhorst
REV: U2
Date: 02/01/2017 19:11
Sheet: 1/1