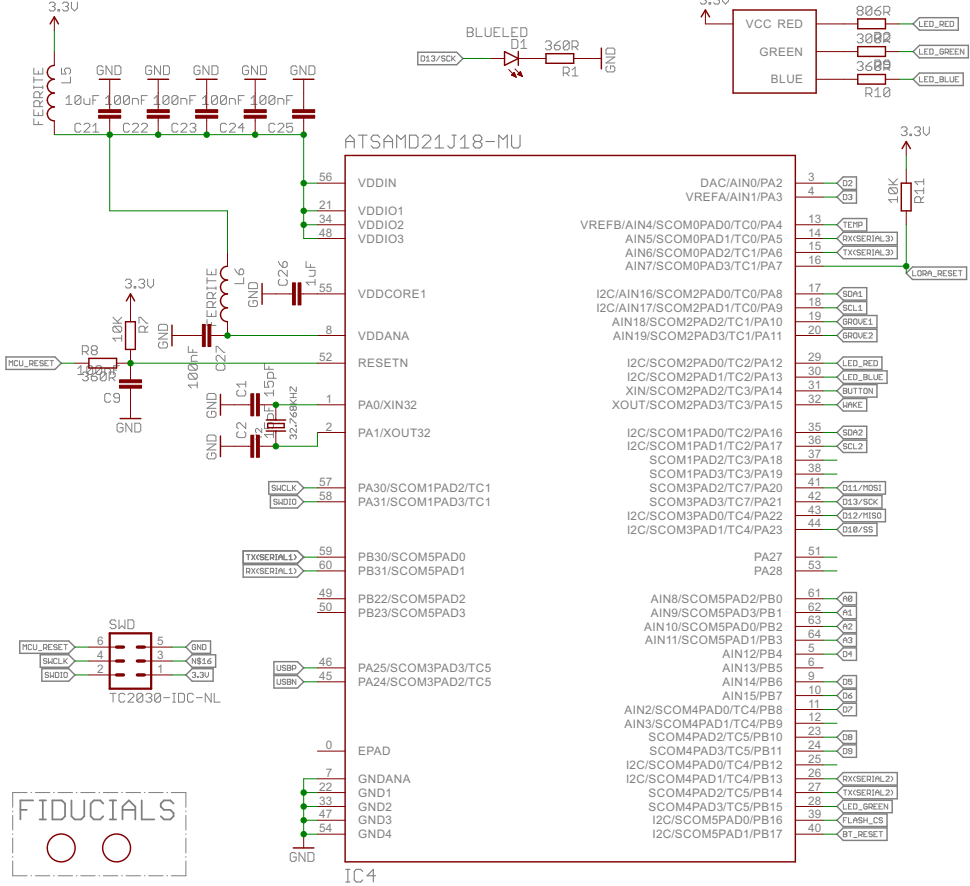
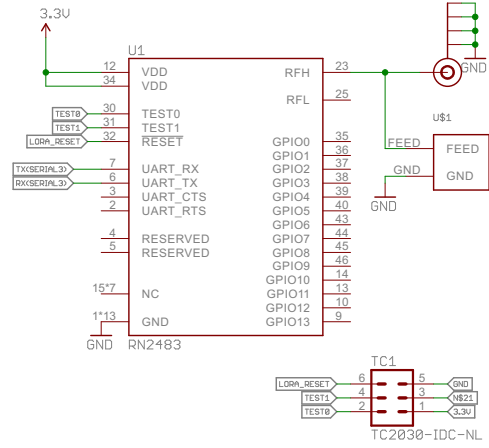


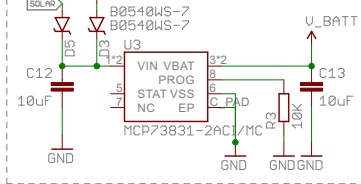
ATSAMD21G18 (MAIN µC)



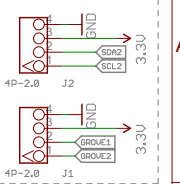
RN2483 / RN2903 (LoRa)



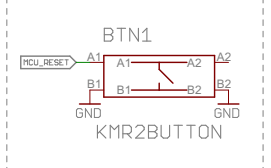
MCP73831 (LIPO CHARGER)



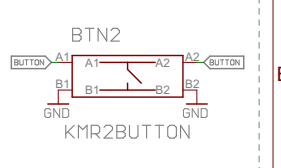
GROVE HEADERS



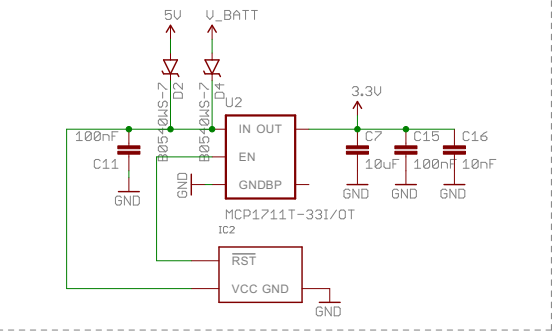
RESET BUTTON



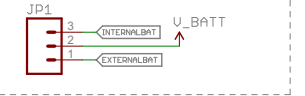
BUTTON



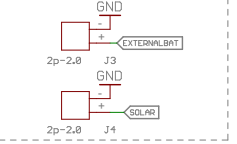
3.3V & UVP (MCP1711 & MCP102)



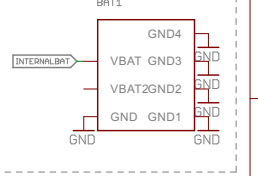
BATTERY JUMPER



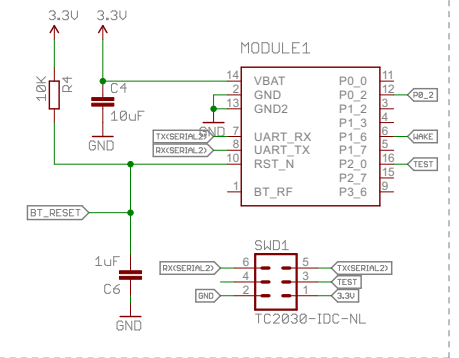
BATTERY CONNECTORS



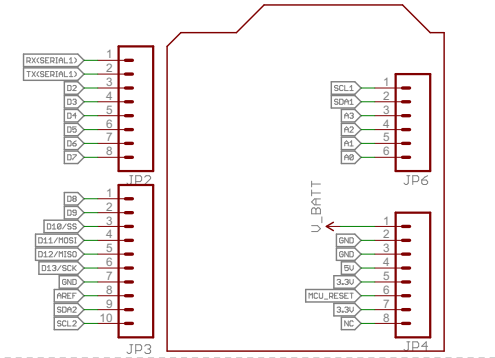
BAT-HOLDER



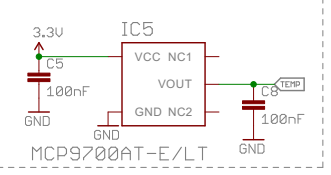
RN4871 (BLUETOOTH)



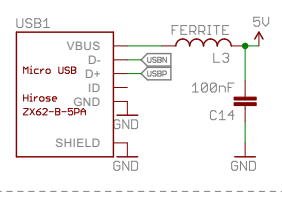
ARDUINO HEADERS



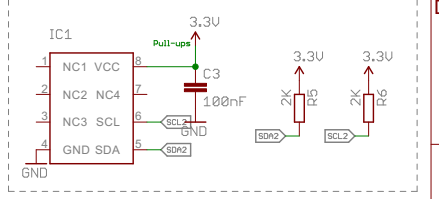
MCP9700AT (THERMISTOR)



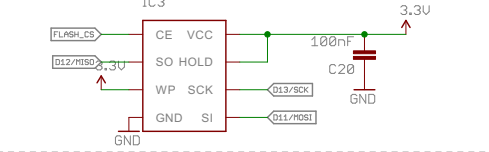
USB



ATECC508A (CRYPTO)



SST25PF040C (SERIAL FLASH)



SODAQ

TITLE: Microchip

Design by: Nick Leijenhorst

Date: 2-12-2016 11:08:47

REV: 5b

Sheet: 1/1