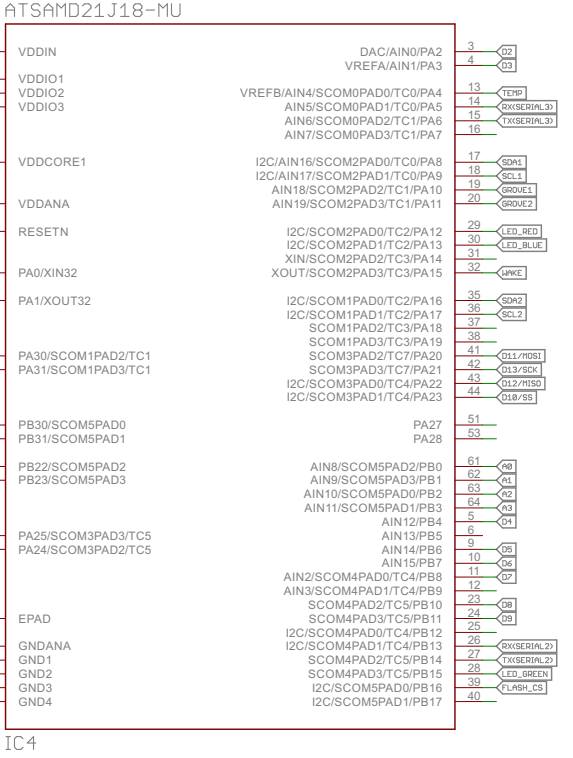
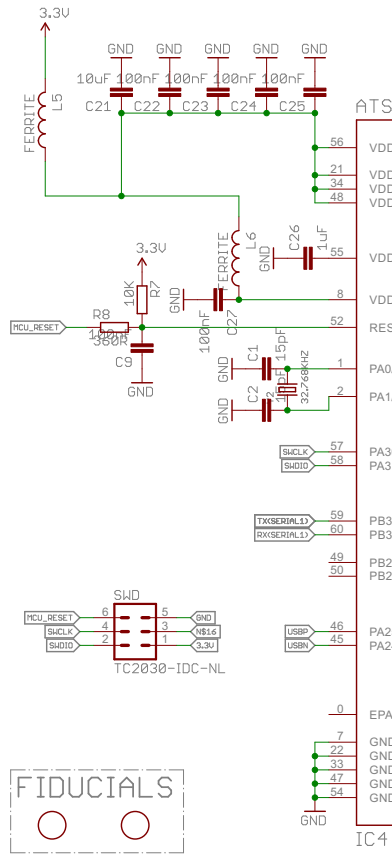
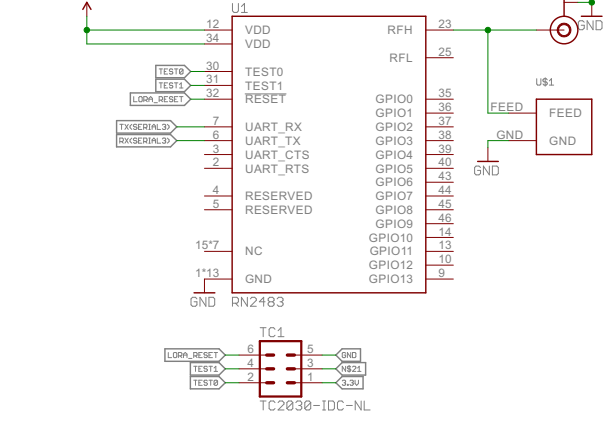


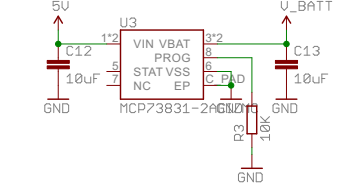
ATSAMD21G18 (MAIN μC)



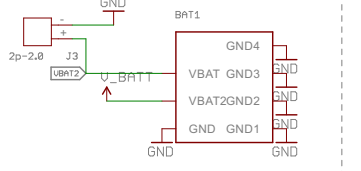
RN2483 / RN2903 (LoRa)



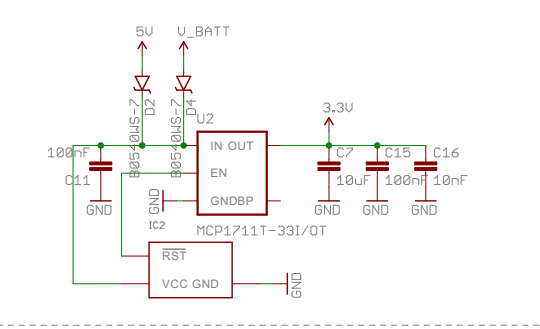
MCP73831 (LIPO CHARGER)



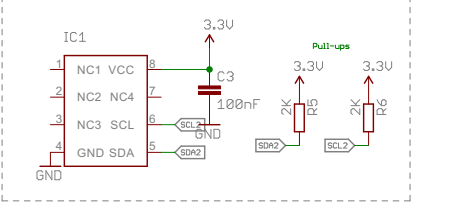
BAT-HOLDER



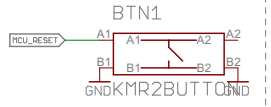
3.3V & UVP (MCP1711 & MCP102)



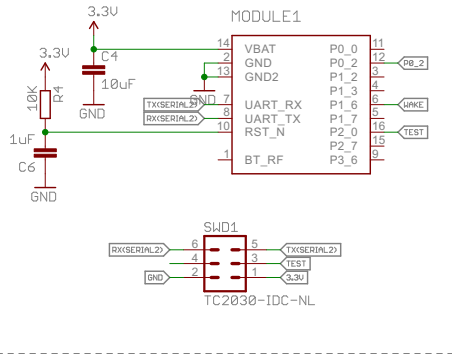
ATECC508A (CRYPTO)



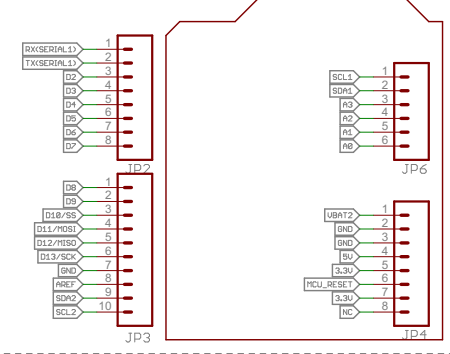
RESET



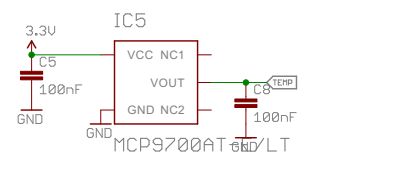
RN4871 (BLUETOOTH)



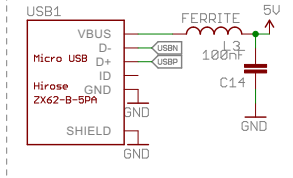
ARDUINO HEADERS



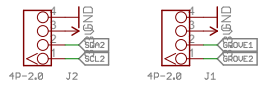
MCP9700AT (THERMISTOR)



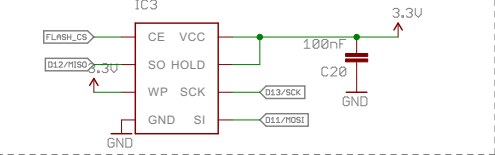
USB



GROVE HEADERS



SST25PF040C (SERIAL FLASH)



SODAQ

TITLE: Microchip

Design by: Nick Leijenhorst

Date: 20-9-2016 12:50:42

REV: 3

Sheet: 1/1